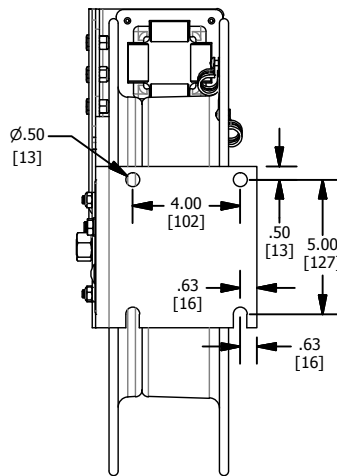


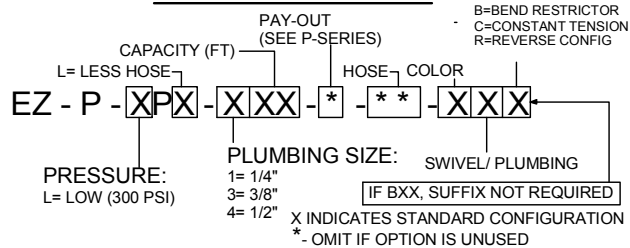
- ALUMI PRO:**
- COMPACT, LIGHTER WEIGHT THAN STD P-SERIES
 - ARM POSITIONS IN SAME CONFIGS AS P-SERIES
 - POWDER COATED BLUE STD
 - NON-CORROSIVE
 - HEAVIST REEL WEIGHS IN AT 31 LBS (P-LP-425-AL) STEEL VERSION- 44 LBS



| SPECIFICATIONS | | |
|------------------------------|--------------------|--------|
| FEATURE | SPEC. | OPTION |
| PRESSURE | 300 PSI | - |
| TEMPERATURE (HOSE DEPENDANT) | -15 TO +150 F | - |
| INLET THREAD | NPT FEMALE | BSP |
| OUTLET THREAD | NPT MALE (ON HOSE) | BSP |

| MATERIAL SPECIFICATIONS | | |
|-------------------------|----------------------|---|
| COMPONENT | MATERIAL | OPTIONS |
| SWIVEL | BRASS (1/4" - 3/8") | - |
| SEALS | NITRILE | VITON, EPDM, FOOD GRADE |
| REEL | STEEL | - |
| BEARINGS | BRONZE, SELF LUBE | - |
| BALL STOP | RUBBER | STAINLESS HARDWARE |
| FINISH | BLUE POWDER COAT (B) | RED (R), GREEN (N), WHITE (W), BLACK [WRINKLE (C)/ GLOSS (K)], GREY (G) |

PART NUMBER



| MODEL | I.D. | CAPACITY | PSI | WEIGHT |
|-------------|-----------|----------|-----------|---------|
| | in[mm] | ft[m] | PSI [BAR] | lbs[kg] |
| P-LP-125-AL | 1/4 [6.3] | 25 [7.6] | 300 [21] | 15 [7] |
| P-LP-150-AL | 1/4 [6.3] | 50 [15] | 300 [21] | 18 [8] |
| P-LP-325-AL | 3/8 [9.5] | 25 [7.6] | 300 [21] | 16 [7] |
| P-LP-350-AL | 3/8 [9.5] | 50 [15] | 300 [21] | 20 [9] |
| P-LP-425-AL | 1/2 [12] | 25 [7.6] | 300 [21] | 29 [13] |
| P-LP-430-AL | 1/2 [12] | 30 [9.1] | 300 [21] | 31 [14] |

STANDARD HOSE:

| TYPE | SIZE | COLOR | COVER | TUBE | REINFORCEMENT | PRESSURE | TEMP RANGE |
|------|--------------|-------|-------|------|---------------|----------|---------------|
| LP | 1/4" TO 1/2" | RED | PVC | PVC | YARN | 300 PSI | -15 TO +150 F |

OPTIONAL HOSE:

| SUFFIX | SIZE | COLOR | COVER | TUBE | REINFORCEMENT | PRESSURE | TEMP RANGE |
|--------|--------------|--------|----------|---------|------------------|----------|---------------|
| OG | 1/4" TO 1/2" | BLACK | NEOPRENE | NITRILE | 2 TEXTILE SPIRAL | 300 PSI | -20 TO +212 F |
| RH | 1/4" TO 1/2" | RED | EPDM | EPDM | 2 TEXTILE SPIRAL | 300 PSI | -40 TO +212 F |
| BH | 1/4" TO 1/2" | BLACK | EPDM | EPDM | 2 TEXTILE SPIRAL | 300 PSI | -40 TO +212 F |
| BP | 1/4" TO 1/2" | BLUE | PVC | PVC | YARN | 300 PSI | -15 TO +150 F |
| YP | 1/4" TO 1/2" | YELLOW | PVC | PVC | YARN | 300 PSI | -15 TO +150 F |

COXREELS

5865 S Ash Avenue Tempe, Az 85283
 1-800-COX-REEL www.coxreels.com

THIS DOCUMENT CONTAINS PROPRIETARY INFORMATION AND IS THE PROPERTY OF COXREELS, INC. THE COPYING, DISTRIBUTION AND UTILIZATION OF THIS DOCUMENT AS WELL AS COMMUNICATION OF ITS CONTENT TO OTHERS WITHOUT THE WRITTEN AUTHORIZATION OF COXREELS, INC., IS PROHIBITED.

| TITLE: | | |
|------------------|--|-------------------------|
| ALUMI PRO SERIES | | |
| DWG. NO.: | ALUMI PRO | REV. - |
| 3RD ANGLE | INTERPERT PER ASME : Y14.5M-1994 DO NOT SCALE DWG. | SIZE: A SHT: 1 OF: 1 |